



STEP GEAR BOX MOTOR SRP0605 SERIES

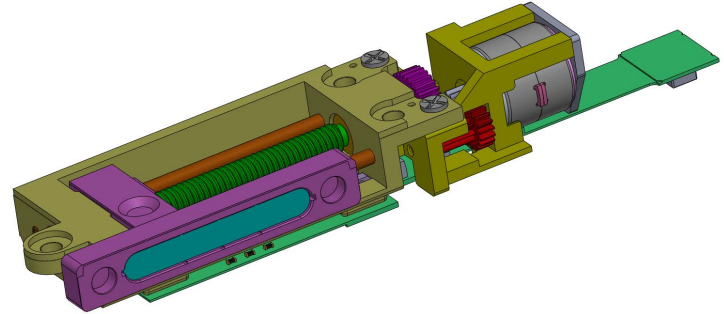
Reduction Ratio: 5.89:1

Output : APPROX 0.5W

Weight : 2.9g (approx)

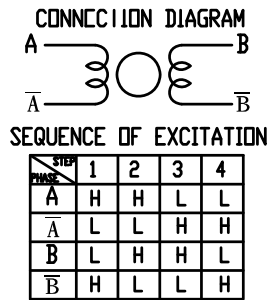
Application

Intelligent glasses



Specification 21SRP0605020

Rated Voltage	5.0V
Phases	2-2
Operating Temperature Range	-20°C~55°C
Step Angle	3.3956 μm/Step
Ratio	5.89:1
Axial Output Force	200gf-cm(min.)(AT 500 PPS)
Max. Slewing Frequency	2000 PPS
Max. Starting Frequency	1200 PPS



FPC接口定義	
1	/
2	PI2
3	PI1
4	GND
5	T-B
6	VCC
7	/
8	/
9	/
10	B-bar
11	B
12	A-bar
13	A
14	/

