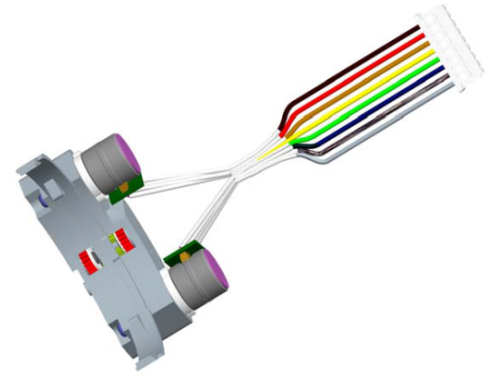




STEP GEAR BOX MOTOR HOA0111 SERIES

Reduction Ratio: 111:1
Output : APPROX 0.0145W
Weight : 5.4g (approx)



Application

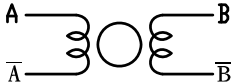
Security lens

MODEL	VOLTAGE	CURRENT	STEP ANGLE	PHASE	DRIVE MODE	MASS
21HOA0111004	2.0V~4.5V	0.227/Phase	0.162°	2	BI-POLAR	5.4g

Specification

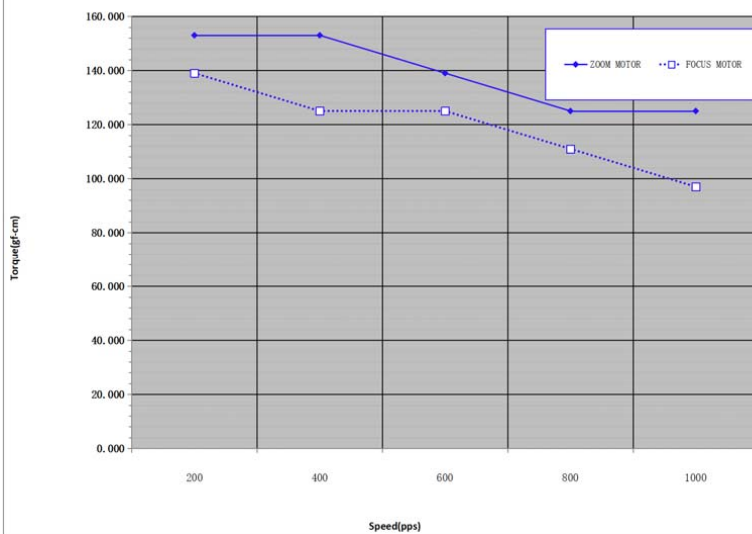
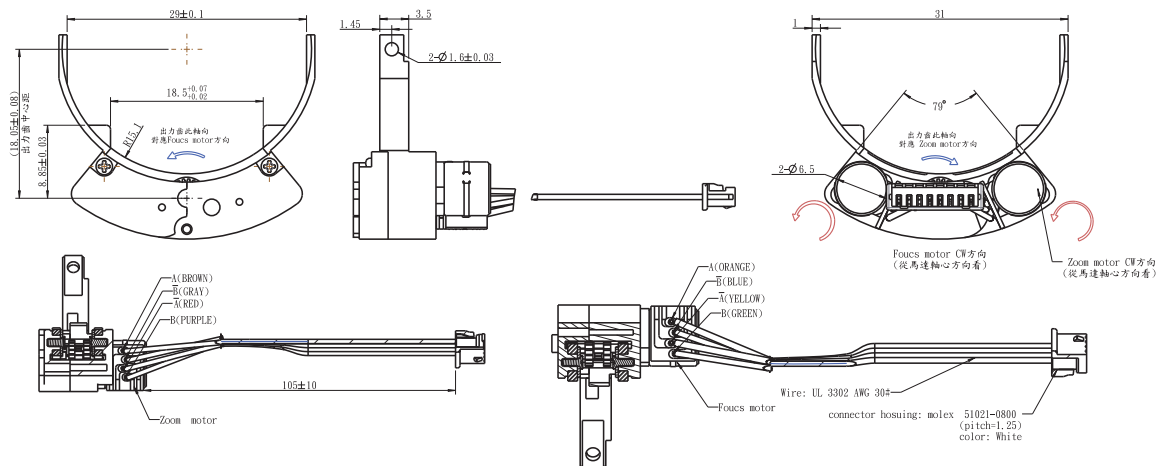
21HOA0111004

CONNECTION DIAGRAM



SEQUENCE OF EXCITATION

STEP	1	2	3	4
A	H	H	L	L
A-bar	L	L	H	H
B	L	H	H	L
B-bar	H	L	L	H



VOLTAGE 3.3V
VRESISTANCE
OFCOIL:30Ω

PPS	200	400	600	800	1000
Pull Out (ZOOM MOTOR)	153	153	139	125	125
Pull Out (FOCUS MOTOR)	139	125	125	111	97